



XLW Series

Wear-Resistant, Abrasive Liquid Pumps

Construction

Blackmer XLW ductile iron pumps are specially designed to handle liquids with suspended abrasive particles and are constructed with hardened and replaceable wear surfaces (liners and end discs) for extended service life.

Models are available in 2 and 3-inch port sizes with capacities from 5 to 85 gpm (19 to 330 L/min). Both models have flanged ports with NPT and weld options.

With available O-rings, mechanical seals, relief valves, springs, vanes and rotors, XLW pumps may be fitted to handle a wide variety of materials.

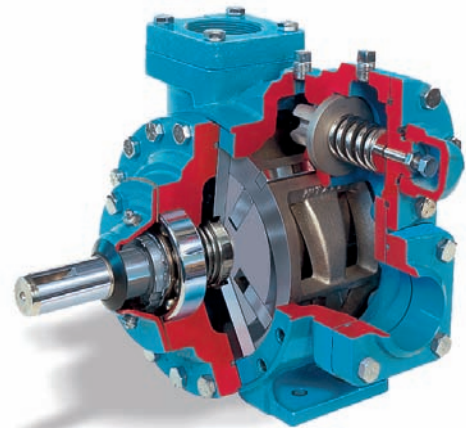
Base mounted unit assemblies with a helical gear reduction drive are available for all XLW models.

Applications

The XLW is capable of handling liquids with suspended particles up to 250 microns and 25% concentration such as oxide primers, inks, paints and adhesives. In addition, these rugged pumps are widely used on vertical and horizontal bead mills, solvent recovery and varied oil applications, including tank bottom recirculation, heat treater supply, enhanced oil recovery and crude or hot oil transfer.

Applications

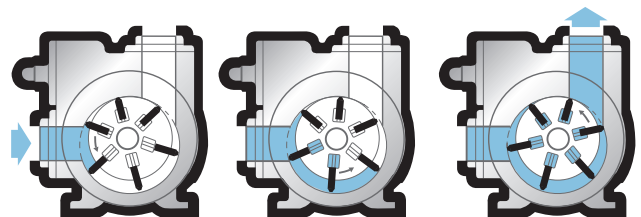
Utilizing Blackmer's unique sliding vane designs, these positive displacement rotary pumps offer the best combined characteristics of sustained high level performance, energy efficiency, trouble-free operation and low maintenance cost.



XLW Pump

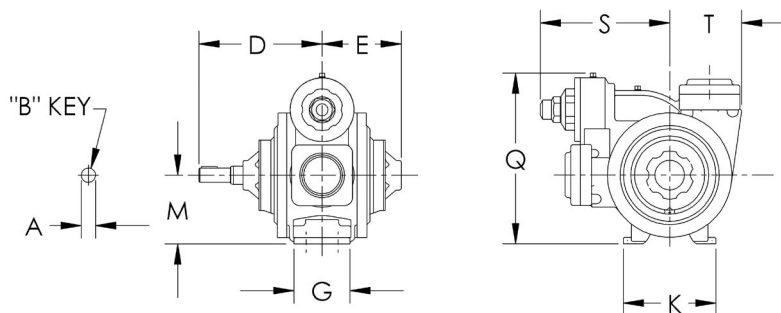


How Blackmer's sliding vane action works





XLW Series Sliding Vane Pump



XLW2/XLW3

Dimensions

Pump Model		A	B	D	E	G	K	M	Q	S	T	Approx. WT.
XLW2	in.	1½	¼	8	5 ⁷ / ₁₆	3½	6½	4	10	6¾	4 ³ / ₁₆	85 lb.
	mm	—	—	203.2	138.1	92.1	165.1	101.6	254	174.6	106.4	38.6 kg
XLW3	in.	1½	¼	9½	6 ⁵ / ₁₆	4¾	7¼	5¾	13¾	10¼	5¾	160 lb.
	mm	—	—	244.5	160.3	111.1	184.2	136.5	339.7	260.4	142.9	72.6 kg

Maximum Operating Limits

Pump Model	Nominal Flow Rate			Pump Speed	Viscosity		Differential Pressure		Working Pressure		Temperature	
	gpm	L/min	m ³ /hr	rpm	ssu	cSt	psi	bar	psi	bar	°F	°C
XLW2	40	151	9.1	350	75,000	15,750	150	10.34	350	24.13	300	148
XLW3	85	322	19.3	350	75,000	15,750	150	10.34	350	24.13	300	148

Companion Flanges

Pump Model	Standard	Optional
XLW2	2-in. NPT	2-in. Weld
XLW3	3-in. NPT	3-in. Weld

Sales Information and Equipment Application Assistance

Blackmer has a world wide distribution network to assist you in specifying any of our family of pumps, compressors and other equipment for your application.

For more information or to find the distributor nearest you, please contact us or visit our web site.



Distributed by:



World Headquarters
 1809 Century Avenue SW
 Grand Rapids, MI 49503-1530 USA
 T 616.241.1611 F 616.241.3752



www.blackmer.com